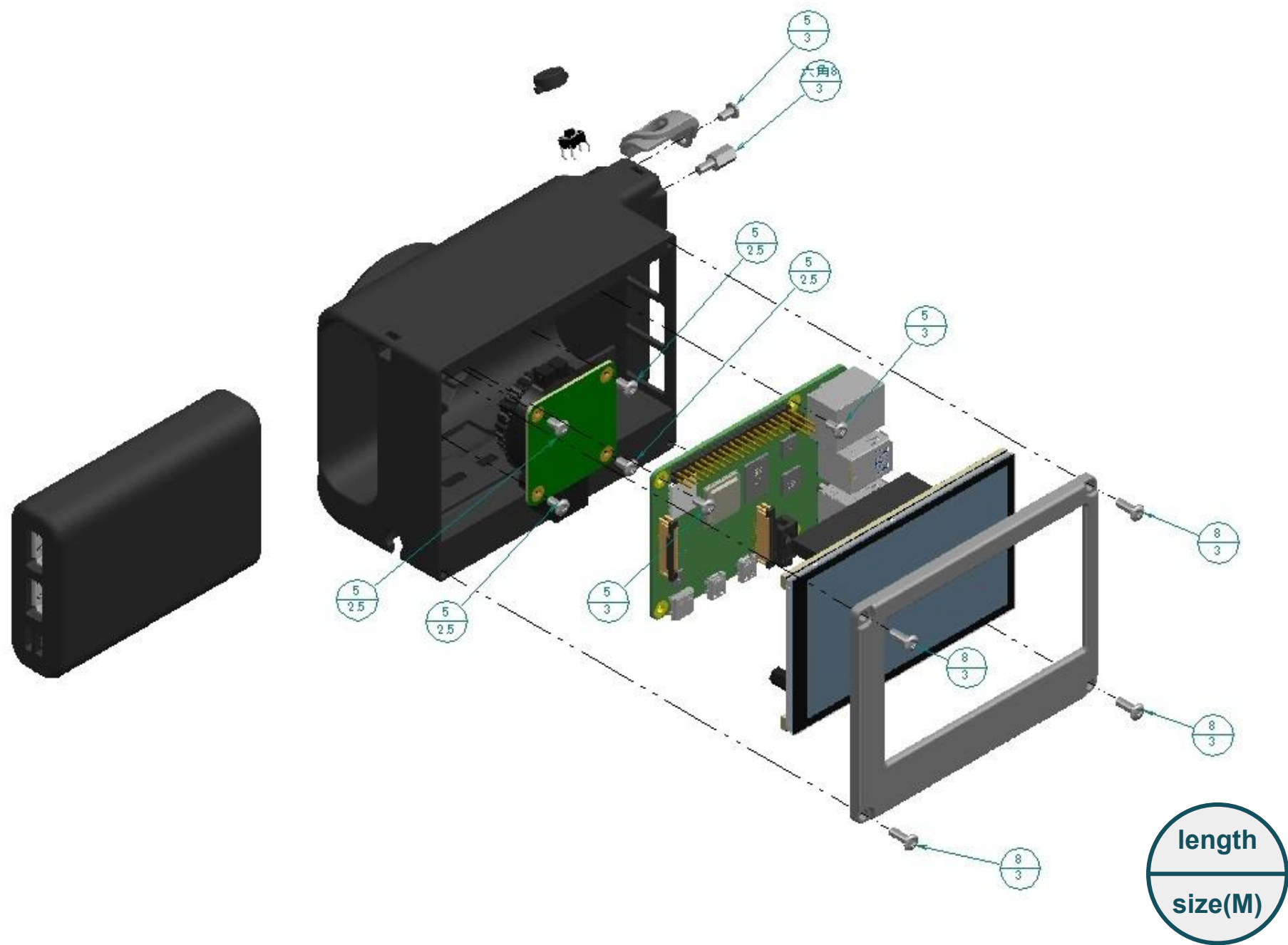
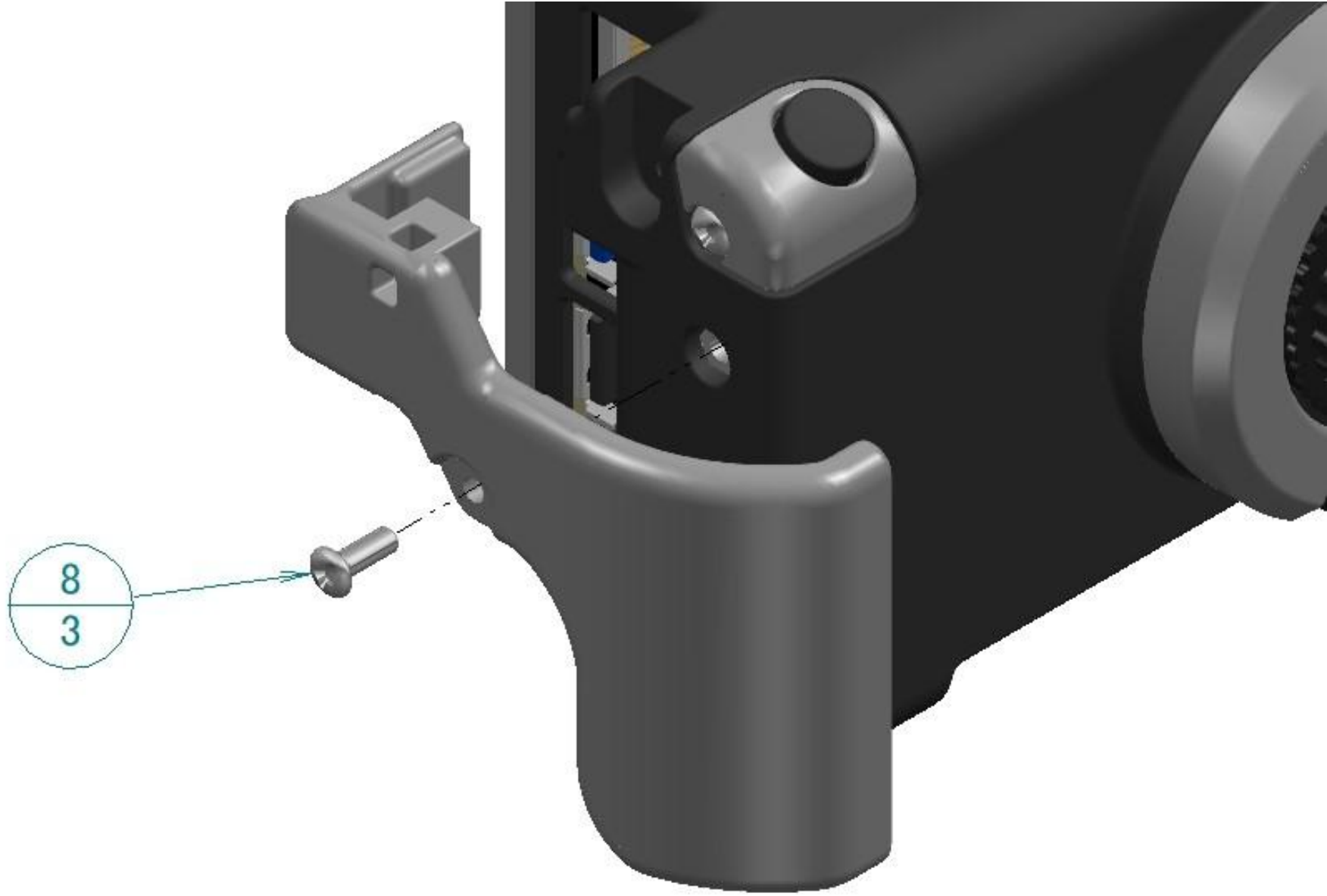




# Lite Edition



# グリップ取り付けイメージ



The shape of the clip is just one example. By using the spacers embedded in the clip, it is possible to attach accessories freely.

# Tips



Be careful with the FPC cables, as they can be a bit overwhelming.



I'll stick out.



Both the earphone jack and HDMI output are available.

# About Parts

製品名	URL	memo
Raspberry Pi 4 Model B	<a href="#">KSY</a>	
Raspberry Pi High Quality Camera	<a href="#">KSY</a>	
HyperPixel 4.0(Touch)	<a href="#">千石電商</a>	
Charmast 10400mAh	<a href="#">Amazon</a>	
UGREEN L字 USB Cケーブル	<a href="#">Amazon</a>	
SKHHA010	<a href="#">ALPS ALPINE</a>	
Metal Spacer Hexagon		The length of the hexagon part is 8 mm.Female and male screws are M3.
Screw		See assembly diagram, you can buy it at home improvement stores.

**The buyer is in Japan.**

**I'm sorry, but if you are overseas, please look for the same thing.**